

MR Series

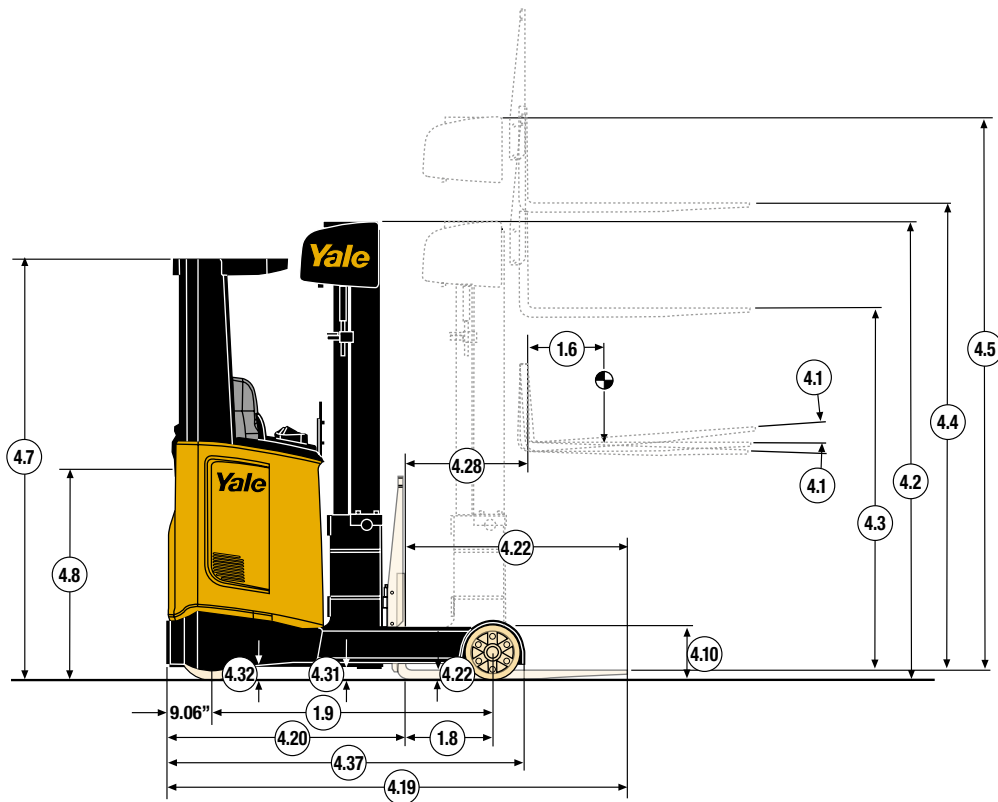
Moving Mast Reach Truck

3,000 / 5,500 lbs.

- Seven models to choose from with lift heights up to 502 inches
- Five chassis available to match your application
- Low cost of operation is derived from increased uptime, low maintenance and high productivity
- Unique ergonomic controls and enhanced visibility
- Optional cold storage cabin ideal for -22° F conditions



Truck Dimensions



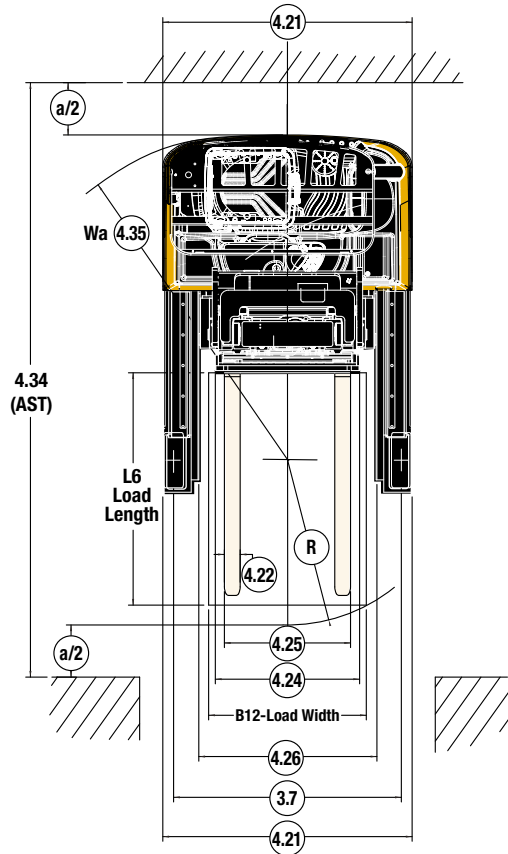
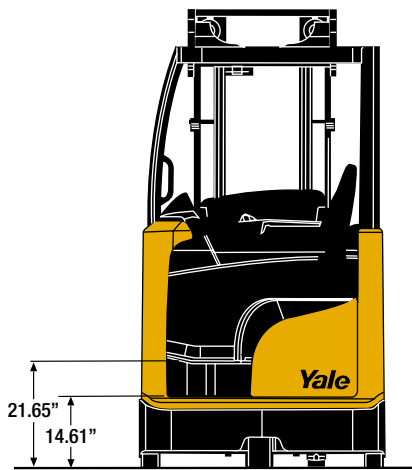
a = Clearance = 8"

L6 = Load length

b12 = Load width

AST = Wa + R + a

AST = Right Angle Stack



Circled dimensions correspond to the line numbers on the tabulated chart inside the spec sheet. Dimensions are in inches (millimeters).

General Specifications MR14, MR16 - Electric (battery)

			Yale	Yale	
GENERAL	1.1	Manufacturer (abbreviation)		Yale	
	1.2	Manufacturer's type designation	MR14	MR16	
	1.3	Drive: electric, diesel, petrol, fuel gas		Electric (battery)	
	1.4	Operator type	Seated	Seated	
	1.5	Rated capacity/rated load	lb (kg)	3000 (1400)	
	1.6	Load center distance	in (mm)	24 (600)	
	1.8	Load distance, center of drive axle to fork	in (mm)	15.83 (402)	
	1.9	Wheelbase	in (mm)	55.12 (1400)	
	1.9	Wheelbase	in (mm)	57.09 (1450)	
WEIGHT	2.1	Service weight	lb (kg)	6861 (3112)	
	2.3	Axle loading, NL front/rear ⁴	lb (kg)	4359/2502 (1977/1135)	
	2.4	Axle loading fork advanced, RL front/rear	lb (kg)	1504/8444 (682/3830)	
	2.5	Axle loading fork retracted, RL front/rear	lb (kg)	3920/6030 (1778/2735)	
	2.5	Axle loading fork retracted, RL front/rear	lb (kg)	4085/6413 (1853/2909)	
WHEELS/TIRES	3.1	Tires, front/rear		Vulkollan/Vulkollan	
	3.2	Tire size, front	in (mm)	13.5 x 5.5 (343 x 140)	
	3.3	Tire size, rear	in (mm)	11.2 x 3.9 (285 x 100)	
	3.5	Wheels, number front/rear (x = driven wheels)		1x/2	
	3.7	Tread, rear	in (mm)	45.47 (1155)	
DIMENSIONS	4.1	Tilt of mast/fork carriage forward/backward	degrees	2/4	
	4.2	Height of mast, lowered	in (mm)	See Mast Tables	
	4.3	Free lift	in (mm)	See Mast Tables	
	4.4	Lift	in (mm)	See Mast Tables	
	4.5	Height, mast extended ¹	in (mm)	See Mast Tables	
	4.7	Height of overhead guard (cabin) ²	in (mm)	85.63 (2175)	
	4.8	Seat height relating to SIP	in (mm)	42.60 (1082)	
	4.10	Height of wheel arms	in (mm)	12.13 (308)	
	4.19	Overall length	in (mm)	93.66 (2379)	
	4.20	Length to face of forks	in (mm)	48.39 (1229)	
	4.21	Overall width ³	in (mm)	49.80 (1265)	
	4.22	Fork dimensions DIN ISO 2331	in (mm)	1.6/3.1/45.3 (40/80/1150)	
	4.23	Fork carriage ISO 2328, class/type A, B		2A	
	4.24	Fork carriage width	in (mm)	27.56 (700)	
	4.25	Distance between fork arms, min/max ⁷	in (mm)	8.66/25.20 (220/640)	
	4.26	Distance between wheel arms/loading surfaces	in (mm)	35.43 (900)	
	4.28	Reach distance	in (mm)	23.03 (585)	
	4.31	Ground clearance, RL, below mast	in (mm)	2.95 (75)	
	4.32	Ground clearance, center of wheelbase	in (mm)	2.95 (75)	
	4.34.1	Aisle width for pallets 39.3"x47.2" (1000mm x 1200mm) across - (L6 x b12)	in (mm)	107.0 (2718) - See Charts	
	4.34.2	Aisle width for pallets 31.5"x47.2" (800mm x 1200mm) lengthwise - (b12 x L6)	in (mm)	108.8 (2764) - See Charts	
	4.35	Turning radius (Wa)	in (mm)	65.79 (1671)	
	4.37	Length across wheel arms	in (mm)	70.67 (1795)	
4.42	Step height (from ground to running board)	in (mm)	21.65 (550)		
4.43	Step height (between intermediate steps between running board and floor)	in (mm)	14.61 (371)		
PERFORMANCE DATA	5.1	Travel speed, RL NL ⁶ Std {Opt}	mph (km/h)	6.8/6.8 (11/11) {8.7/8.7 (14/14)}	
	5.1.1	Travel speed, RL NL, backwards ⁶ Std {Opt}	mph (km/h)	6.8/6.8 (11/11) {8.7/8.7 (14/14)}	
	5.2	Lift speed, RL NL ⁶ Std {Opt}	ft/min (m/s)	72.8/124 (0.37/0.63) {92.5/143.7 (0.47/0.73)}	
	5.3	Lowering speed, RL/NL	ft/min (m/s)	108.3 (0.55/0.55)	
	5.4	Reaching speed, RL/NL	ft/min (m/s)	33.5/33.5 (0.17/0.17)	
	5.7	Gradeability, RL/NL	%	10/15	
	5.8	Max. gradeability RL/NL	%	10/15	
	5.10	Service brake		Electric	
	ELECTRIC	6.1	Drive motor, S2 60 minute rating	kW	6.4
		6.2	Lift motor, S3 15% rating	kW	14
6.4		Battery voltage/nominal capacity	(V)/(Ah)	48/420 ⁵	
6.5		Battery weight ⁸	lb (kg)	1653 (750)	
8.1		Type of drive unit		AC	
OTHER	10.1	Operating pressure for attachments	bar	180	
	10.2	Oil volume for attachment	l/min	20	
	10.7	Sound pressure level at the driver's seat	dB(A)	< 69.7	

¹ With load backrest add 20" (MR14-MR16-MR16N-MR16HD), add 17.44" (MR20-MR25-MR20HD).

² With beacon add 4.72"; with OHG grid protector add 0.79"; with OHG screen protector add 1.18".

³ With load wheels lateral covers: 50.78" (MR14-MR16-MR20-MR16HD), 45.39" (MR16N), 54.06" (MR25-MR20HD).

⁴ Forks retracted.

⁵ See battery tables.

⁶ Values in brackets {} are optional.

⁷ Side shift stroke is +/-2.95" on all trucks. Reduced to +/-0.98" for MR16N.

⁸ These values may vary of +/- 5%.

RL = Rated Load, NL = No Load

† NOTE: Performance specifications/ratings are for truck equipped as described under Standard Equipment in this Specification Sheet. Performance specifications are affected by the condition of the vehicle and how it is equipped, as well as by the nature and condition of the operating area. Specifications are subject to change and the proposed application should be discussed with your authorized Yale® dealer.

†† All values are nominal values and are subject to tolerances. For further information on this dimension, please contact your local Yale® dealer.

Above specifications, unless otherwise listed, are for a standard truck without optional equipment. Yale® products are subject to change without notice. Lift trucks illustrated may feature optional equipment. Right Angle Stack (Aisle Width) - See truck dimensions for batteries chart.

General Specifications MR16N, MR16HD - Electric (battery)

			Yale	Yale	
GENERAL	1.1	Manufacturer (abbreviation)		Yale	
	1.2	Manufacturer's type designation	MR16N	MR16HD	
	1.3	Drive: electric, diesel, petrol, fuel gas	Electric (battery)	Electric (battery)	
	1.4	Operator type	Seated	Seated	
	1.5	Rated capacity/rated load	lb (kg)	3500 (1600)	
	1.6	Load center distance	in (mm)	24 (600)	
	1.8	Load distance, center of drive axle to fork	in (mm)	15.04 (382)	
	1.9	Wheelbase	in (mm)	57.09 (1450)	
	WEIGHT	2.1	Service weight	lb (kg)	6859 (3111)
2.3		Axle loading, NL front/rear ⁴	lb (kg)	4237/2621 (1922/1189)	
2.4		Axle loading fork advanced, RL front/rear	lb (kg)	1254/9132 (569/4142)	
2.5		Axle loading fork retracted, RL front/rear	lb (kg)	3704/6684 (1680/3032)	
WHEELS/TIRES		3.1	Tires, front/rear	Vulkollan/Vulkollan	Vulkollan/Vulkollan
	3.2	Tire size, front	in (mm)	13.5 x 5.5 (343 x 140)	
	3.3	Tire size, rear	in (mm)	11.2 x 3.9 (285 x 100)	
	3.5	Wheels, number front/rear (x = driven wheels)		1x/2	
	3.7	Tread, rear	in (mm)	40.35 (1025)	
	DIMENSIONS	4.1	Tilt of mast/fork carriage forward/backward	degrees	2/4
		4.2	Height of mast, lowered	in (mm)	See Mast Tables
4.3		Free lift	in (mm)	See Mast Tables	
4.4		Lift	in (mm)	See Mast Tables	
4.5		Height, mast extended ¹	in (mm)	See Mast Tables	
4.7		Height of overhead guard (cabin) ²	in (mm)	85.63 (2175)	
4.8		Seat height relating to SIP	in (mm)	42.60 (1082)	
4.10		Height of wheel arms	in (mm)	12.13 (308)	
4.19		Overall length	in (mm)	96.40 (2449)	
4.20		Length to face of forks	in (mm)	51.14 (1299)	
4.21		Overall width ³	in (mm)	44.29 (1125)	
4.22		Fork dimensions DIN ISO 2331	in (mm)	1.6/4.7/45.3 (40/120/1150)	
4.23		Fork carriage ISO 2328, class/type A, B		2A	
4.24		Fork carriage width	in (mm)	27.56 (700)	
4.25		Distance between fork arms, min/max ⁷	in (mm)	10.24/26.77 (260/680)	
4.26		Distance between wheel arms/loading surfaces	in (mm)	31.30 (795)	
4.28		Reach distance	in (mm)	22.24 (565)	
4.31		Ground clearance, RL, below mast	in (mm)	2.95 (75)	
4.32		Ground clearance, center of wheelbase	in (mm)	2.95 (75)	
4.34.1		Aisle width for pallets 39.3"x47.2" (1000mm x 1200mm) across - (L6 x b12)	in (mm)	108.7 (2762) - See Charts	
4.34.2		Aisle width for pallets 31.5"x47.2" (800mm x 1200mm) lengthwise - (b12 x L6)	in (mm)	110.7 (2811) - See Charts	
4.35		Turning radius (Wa)	in (mm)	66.93 (1700)	
4.37		Length across wheel arms	in (mm)	72.64 (1845)	
4.42	Step height (from ground to running board)	in (mm)	21.65 (550)		
4.43	Step height (between intermediate steps between running board and floor)	in (mm)	14.61 (371)		
PERFORMANCE DATA	5.1	Travel speed, RL NL ⁶ Std {Opt}	mph (km/h)	6.8/6.8 (11/11) {8.7/8.7 (14/14)}	
	5.1.1	Travel speed, RL NL, backwards ⁶ Std {Opt}	mph (km/h)	6.8/6.8 (11/11) {8.7/8.7 (14/14)}	
	5.2	Lift speed, RL NL ⁶ Std {Opt}	ft/min (m/s)	63/124 (0.32/0.63) {82.7/143.7 (0.42/0.73)}	
	5.3	Lowering speed, RL/NL	ft/min (m/s)	108.3/108.3 (0.55/0.55)	
	5.4	Reaching speed, RL/NL	ft/min (m/s)	33.5/33.5 (0.17/0.17)	
	5.7	Gradeability, RL/NL	%	10/15	
	5.8	Max. gradeability RL/NL	%	10/15	
	5.10	Service brake		Electric	
	ELECTRIC	6.1	Drive motor, S2 60 minute rating	kW	6.4
		6.2	Lift motor, S3 15% rating	kW	14
6.4		Battery voltage/nominal capacity	(V)/(Ah)	48/420 ⁵	
6.5		Battery weight ⁸	lb (kg)	1653 (750)	
8.1		Type of drive unit		AC	
OTHER	10.1	Operating pressure for attachments	bar	180	
	10.2	Oil volume for attachment	l/min	20	
	10.7	Sound pressure level at the driver's seat	dB(A)	< 69.7	

¹ With load backrest add 20" (MR14-MR16-MR16N-MR16HD), add 17.44" (MR20-MR25-MR20HD).

² With beacon add 4.72"; with OHG grid protector add 0.79"; with OHG screen protector add 1.18".

³ With load wheels lateral covers: 50.78" (MR14-MR16-MR20-MR16HD), 45.39" (MR16N), 54.06" (MR25-MR20HD).

⁴ Forks retracted.

⁵ See battery tables.

⁶ Values in brackets {} are optional.

⁷ Side shift stroke is +/-2.95" on all trucks. Reduced to +/-0.98" for MR16N.

⁸ These values may vary of +/- 5%.

RL = Rated Load, NL = No Load

† NOTE: Performance specifications/ratings are for truck equipped as described under Standard Equipment in this Specification Sheet. Performance specifications are affected by the condition of the vehicle and how it is equipped, as well as by the nature and condition of the operating area. Specifications are subject to change and the proposed application should be discussed with your authorized Yale® dealer.

†† All values are nominal values and are subject to tolerances. For further information on this dimension, please contact your local Yale® dealer.

Above specifications, unless otherwise listed, are for a standard truck without optional equipment. Yale® products are subject to change without notice. Lift trucks illustrated may feature optional equipment. Right Angle Stack (Aisle Width) - See truck dimensions for batteries chart.

General Specifications MR20, MR20HD - Electric (battery)

			Yale	Yale
GENERAL	1.1	Manufacturer (abbreviation)		Yale
	1.2	Manufacturer's type designation		MR20
	1.3	Drive: electric, diesel, petrol, fuel gas		Electric (battery)
	1.4	Operator type		Seated
	1.5	Rated capacity/rated load	lb (kg)	4500 (2000)
	1.6	Load center distance	in (mm)	24 (600)
	1.8	Load distance, center of drive axle to fork	in (mm)	16.93 (430)
	1.9	Wheelbase	in (mm)	59.06 (1500)
	1.9	Wheelbase	in (mm)	59.06 (1500)
WEIGHT	2.1	Service weight	lb (kg)	7970 (3615)
	2.3	Axle loading, NL front/rear ⁴	lb (kg)	4985/2985 (2261/1354)
	2.4	Axle loading fork advanced, RL front/rear	lb (kg)	1479/10897 (671/4943)
	2.5	Axle loading fork retracted, RL front/rear	lb (kg)	4480/7899 (2032/3583)
	2.5	Axle loading fork retracted, RL front/rear	lb (kg)	4927/9235 (2235/4189)
WHEELS/TIRES	3.1	Tires, front/rear		Vulkollan/Vulkollan
	3.2	Tire size, front	in (mm)	13.5 x 5.5 (343 x 140)
	3.3	Tire size, rear	in (mm)	11.2 x 3.9 (285 x 100)
	3.5	Wheels, number front/rear (x = driven wheels)		1x/2 1x/2
	3.7	Tread, rear	in (mm)	45.47 (1155)
	3.7	Tread, rear	in (mm)	47.05 (1195)
	3.7	Tread, rear	in (mm)	47.05 (1195)
DIMENSIONS	4.1	Tilt of mast/fork carriage forward/backward	degrees	2/4
	4.2	Height of mast, lowered	in (mm)	See Mast Tables
	4.3	Free lift	in (mm)	See Mast Tables
	4.4	Lift	in (mm)	See Mast Tables
	4.5	Height, mast extended ¹	in (mm)	See Mast Tables
	4.7	Height of overhead guard (cabin) ²	in (mm)	85.63 (2175)
	4.8	Seat height relating to SIP	in (mm)	42.60 (1082)
	4.10	Height of wheel arms	in (mm)	12.13 (308)
	4.19	Overall length	in (mm)	96.50 (2451)
	4.20	Length to face of forks	in (mm)	51.22 (1301)
	4.21	Overall width ³	in (mm)	49.80 (1265)
	4.22	Fork dimensions DIN ISO 2331	in (mm)	1.6/4.7/45.3 (40/120/1150)
	4.23	Fork carriage ISO 2328, class/type A, B		2A
	4.24	Fork carriage width	in (mm)	27.56 (700)
	4.25	Distance between fork arms, min/max ⁷	in (mm)	10.24/26.77 (260/680)
	4.26	Distance between wheel arms/loading surfaces	in (mm)	35.43 (900)
	4.28	Reach distance	in (mm)	24.13 (613)
	4.31	Ground clearance, RL, below mast	in (mm)	2.56 (65)
	4.32	Ground clearance, center of wheelbase	in (mm)	2.56 (65)
	4.34.1	Aisle width for pallets 39.3"x47.2" (1000mm x 1200mm) across - (L6 x b12)	in (mm)	110 (2795) - See Charts
	4.34.2	Aisle width for pallets 31.5"x47.2" (800mm x 1200mm) lengthwise - (b12 x L6)	in (mm)	111.6 (2835) - See Charts
	4.35	Turning radius (Wa)	in (mm)	69.57 (1767)
	4.37	Length across wheel arms	in (mm)	74.61 (1895)
4.42	Step height (from ground to running board)	in (mm)	21.65 (550)	
4.43	Step height (between intermediate steps between running board and floor)	in (mm)	14.61 (371)	
PERFORMANCE DATA	5.1	Travel speed, RL NL ⁶	mph (km/h)	8.7/8.7 (14/14)
	5.1.1	Travel speed, RL NL, backwards ⁶	mph (km/h)	8.7/8.7 (14/14)
	5.2	Lift speed, RL NL ⁶	ft/min (m/s)	72.8/126 (0.37/0.64)
	5.3	Lowering speed, RL/NL	ft/min (m/s)	108.3/98.4 (0.55/0.50)
	5.4	Reaching speed, RL/NL	ft/min (m/s)	33.5/33.5 (0.17/0.17)
	5.7	Gradeability, RL/NL	%	10/15
	5.8	Max. gradeability RL/NL	%	10/15
	5.10	Service brake		Electric
	6.1	Drive motor, S2 60 minute rating	kW	6.4
	6.2	Lift motor, S3 15% rating	kW	14
ELECTRIC	6.4	Battery voltage/nominal capacity	(V)/(Ah)	48/560 ⁵
	6.5	Battery weight ⁸	lb (kg)	2070 (939)
	6.5	Battery weight ⁸	lb (kg)	2467 (1119)
	8.1	Type of drive unit		AC
	10.1	Operating pressure for attachments	bar	180
OTHER	10.2	Oil volume for attachment	l/min	20
	10.2	Oil volume for attachment	l/min	20
	10.7	Sound pressure level at the driver's seat	dB(A)	<69.7

¹ With load backrest add 20" (MR14-MR16-MR16N-MR16HD), add 17.44" (MR20-MR25-MR20HD).

² With beacon add 4.72"; with OHG grid protector add 0.79"; with OHG screen protector add 1.18".

³ With load wheels lateral covers: 50.78" (MR14-MR16-MR20-MR16HD), 45.39" (MR16N), 54.06" (MR25-MR20HD).

⁴ Forks retracted.

⁵ See battery tables.

⁶ Values in brackets { } are optional.

⁷ Side shift stroke is +/-2.95" on all trucks. Reduced to +/-0.98" for MR16N.

⁸ These values may vary of +/- 5%.

RL = Rated Load, NL = No Load

† NOTE: Performance specifications/ratings are for truck equipped as described under Standard Equipment in this Specification Sheet. Performance specifications are affected by the condition of the vehicle and how it is equipped, as well as by the nature and condition of the operating area. Specifications are subject to change and the proposed application should be discussed with your authorized Yale® dealer.

†† All values are nominal values and are subject to tolerances. For further information on this dimension, please contact your local Yale® dealer.

Above specifications, unless otherwise listed, are for a standard truck without optional equipment. Yale® products are subject to change without notice. Lift trucks illustrated may feature optional equipment. Right Angle Stack (Aisle Width) - See truck dimensions for batteries chart.

General Specifications MR25 - Electric (battery)

GENERAL	1.1	Manufacturer (abbreviation)		Yale	
	1.2	Manufacturer's type designation		MR25	
	1.3	Drive: electric, diesel, petrol, fuel gas		Electric (battery)	
	1.4	Operator type		Seated	
	1.5	Rated capacity/rated load	lb (kg)	5500 (2500)	
	1.6	Load center distance	in (mm)	24 (600)	
	1.8	Load distance, center of drive axle to fork	in (mm)	19.80 (503)	
	1.9	Wheelbase	in (mm)	64.96 (1650)	
	WEIGHT	2.1	Service weight	lb (kg)	8902 (4038)
2.3		Axle loading, NL front/rear ⁴	lb (kg)	5556/3347 (2520/1518)	
2.4		Axle loading fork advanced, RL front/rear	lb (kg)	1704/12710 (773/5765)	
2.5		Axle loading fork retracted, RL front/rear	lb (kg)	5227/9187 (2371/4167)	
WHEELS/TIRES	3.1	Tires, front/rear		Vulkollan/Vulkollan	
	3.2	Tire size, front	in (mm)	13.5 x 5.5 (343 x 140)	
	3.3	Tire size, rear	in (mm)	11.2 x 5.5 (285 x 140)	
	3.5	Wheels, number front/rear (x = driven wheels)		1x/2	
	3.7	Tread, rear	in (mm)	47.05 (1195)	
	DIMENSIONS	4.1	Tilt of mast/fork carriage forward/backward	degrees	2/4
		4.2	Height of mast, lowered	in (mm)	See Mast Tables
4.3		Free lift	in (mm)	See Mast Tables	
4.4		Lift	in (mm)	See Mast Tables	
4.5		Height, mast extended ¹	in (mm)	See Mast Tables	
4.7		Height of overhead guard (cabin) ²	in (mm)	85.63 (2175)	
4.8		Seat height relating to SIP	in (mm)	42.60 (1082)	
4.10		Height of wheel arms	in (mm)	12.13 (308)	
4.19		Overall length	in (mm)	99.53 (2528)	
4.20		Length to face of forks	in (mm)	54.25 (1378)	
4.21		Overall width ³	in (mm)	52.95 (1345)	
4.22		Fork dimensions DIN ISO 2331	in (mm)	1.8/4.7/45.3 (45/120/1150)	
4.23		Fork carriage ISO 2328, class/type A, B		2A	
4.24		Fork carriage width	in (mm)	27.56 (700)	
4.25		Distance between fork arms, min/max ⁷	in (mm)	10.24/26.77 (260/680)	
4.26		Distance between wheel arms/loading surfaces	in (mm)	35.43 (900)	
4.28		Reach distance	in (mm)	27.0 (686)	
4.31		Ground clearance, RL, below mast	in (mm)	2.56 (65)	
4.32		Ground clearance, center of wheelbase	in (mm)	2.56 (65)	
PERFORMANCE DATA		4.34.1	Aisle width for pallets 39.3"x47.2" (1000mm x 1200mm) across - (L6 x b12)	in (mm)	113.8 (2890) - See Charts
		4.34.2	Aisle width for pallets 31.5"x47.2" (800mm x 1200mm) lengthwise - (b12 x L6)	in (mm)	114.8 (2915) - See Charts
	4.35	Turning radius (Wa)	in (mm)	75.24 (1911)	
	4.37	Length across wheel arms	in (mm)	80.51 (2045)	
	4.42	Step height (from ground to running board)	in (mm)	21.65 (550)	
	4.43	Step height (between intermediate steps between running board and floor)	in (mm)	14.61 (371)	
	5.1	Travel speed, RL NL ⁶	mph (km/h)	8.7/8.7 (14/14)	
	5.1.1	Travel speed, RL NL, backwards ⁶	mph (km/h)	8.7/8.7 (14/14)	
	5.2	Lift speed, RL NL ⁶	ft/min (m/s)	59.1/126 (0.30/0.64)	
	5.3	Lowering speed, RL/NL	ft/min (m/s)	108.3/98.4 (0.55/0.50)	
5.4	Reaching speed, RL/NL	ft/min (m/s)	33.5/33.5 (0.17/0.17)		
5.7	Gradeability, RL/NL	%	8/14		
5.8	Max. gradeability RL/NL	%	10/15		
5.10	Service brake		Electric		
ELECTRIC	6.1	Drive motor, S2 60 minute rating	kW	6.4	
	6.2	Lift motor, S3 15% rating	kW	14	
	6.4	Battery voltage/nominal capacity	(V)/(Ah)	48/700 ⁵	
	6.5	Battery weight ⁸	lb (kg)	2467 (1119)	
	8.1	Type of drive unit		AC	
OTHER	10.1	Operating pressure for attachments	bar	180	
	10.2	Oil volume for attachment	l/min	20	
	10.7	Sound pressure level at the driver's seat	dB(A)	<69.7	

¹ With load backrest add 20" (MR14-MR16-MR16N-MR16HD), add 17.44" (MR20-MR25-MR20HD).

² With beacon add 4.72"; with OHG grid protector add 0.79"; with OHG screen protector add 1.18".

³ With load wheels lateral covers: 50.78" (MR14-MR16-MR20-MR16HD), 45.39" (MR16N), 54.06" (MR25-MR20HD).

⁴ Forks retracted.

⁵ See battery tables.

⁶ Values in brackets { } are optional.

⁷ Side shift stroke is +/-2.95" on all trucks. Reduced to +/-0.98" for MR16N.

⁸ These values may vary of +/- 5%.

RL = Rated Load, NL = No Load

† NOTE: Performance specifications/ratings are for truck equipped as described under Standard Equipment in this Specification Sheet. Performance specifications are affected by the condition of the vehicle and how it is equipped, as well as by the nature and condition of the operating area. Specifications are subject to change and the proposed application should be discussed with your authorized Yale® dealer.

†† All values are nominal values and are subject to tolerances. For further information on this dimension, please contact your local Yale® dealer.

Above specifications, unless otherwise listed, are for a standard truck without optional equipment. Yale® products are subject to change without notice. Lift trucks illustrated may feature optional equipment. Right Angle Stack (Aisle Width) - See truck dimensions for batteries chart.

MR14, MR16, MR16N - Mast Details, 3-Stage Full Free Lift

Model	Lift (4.4)	Free Lift (4.3)	Height of Mast Lowered (4.2)	Height of Mast Extended w/o LBR (4.5) ¹
	in (mm)	in (mm)	in (mm)	in (mm)
MR14, MR16 MR16N	196 (5000)	64 (1648)	87 (2195)	220 (5563)
	206 (5250)	68 (1734)	90 (2281)	229 (5813)
	216 (5500)	71 (1820)	94 (2367)	239 (6063)
	226 (5750)	75 (1906)	97 (2453)	249 (6313)
	236 (6000)	78 (1992)	100 (2539)	259 (6563)
	246 (6250)	81 (2078)	104 (2625)	269 (6813)
	255 (6500)	85 (2164)	107 (2711)	279 (7063)
	265 (6750)	88 (2250)	111 (2797)	288 (7313)
	275 (7000)	91 (2336)	114 (2883)	298 (7563)
	285 (7250)	95 (2422)	117 (2969)	308 (7813)
	295 (7500)	98 (2508)	121 (3055)	318 (8063)
	305 (7750)	102 (2594)	124 (3141)	328 (8313)
	314 (8000)	105 (2680)	128 (3227)	338 (8563)
	324 (8250)	108 (2766)	131 (3313)	347 (8813)
	334 (8500)	112 (2852)	134 (3399)	357 (9063)
	344 (8750)	117 (2938)	138 (3485)	367 (9313)
	354 (9000)	119 (3024)	141 (3571)	377 (9563)
	364 (9250)	122 (3110)	144 (3657)	387 (9813)
	374 (9500)	125 (3196)	148 (3753)	397 (10063)
	383 (9750)	129 (3282)	152 (3839)	407 (10313)
393 (10000)	132 (3368)	155 (3925)	416 (10563)	
403 (10250)	135 (3454)	158 (4011)	426 (10813)	
413 (10500)	139 (3540)	162 (4097)	436 (11063)	

¹ With load backrest 39.37" height, add 20"; with load backrest 59.06" height, add 39.69".

MR20, MR25 - Mast Details, 3-Stage Full Free Lift

Lift (4.4)	Free Lift (4.3)	Height of Mast Lowered (4.2)	Height of Mast Extended w/o LBR (4.5) ²
in (mm)	in (mm)	in (mm)	in (mm)
183 (4650)	62 (1582)	87 (2195)	208 (5263)
192 (4900)	65 (1668)	90 (2281)	218 (5513)
202 (5150)	69 (1754)	94 (2367)	227 (5763)
212 (5400)	72 (1840)	97 (2453)	237 (6013)
222 (5650)	75 (1926)	100 (2539)	247 (6263)
232 (5900)	79 (2012)	104 (2625)	257 (6513)
242 (6150)	82 (2098)	107 (2711)	267 (6763)
251 (6400)	85 (2184)	111 (2797)	277 (7013)
261 (6650)	89 (2270)	114 (2883)	286 (7263)
271 (6900)	92 (2356)	117 (2969)	296 (7513)
281 (7150)	96 (2442)	121 (3055)	306 (7763)
291 (7400)	99 (2528)	124 (3141)	316 (8013)
301 (7650)	102 (2614)	128 (3227)	326 (8263)
311 (7900)	106 (2700)	131 (3313)	336 (8513)
320 (8150)	109 (2786)	134 (3399)	345 (8763)

² With load backrest 39.37" height, add 17.44"; with load backrest 59.06" height, add 37.12".

MR16HD - Mast Details, Heavy Duty 3-Stage Full Free Lift

Lift (4.4)	Free Lift (4.3)	Height of Mast Lowered (4.2)	Height of Mast Extended w/o LBR (4.5) ³
in (mm)	in (mm)	in (mm)	in (mm)
311 (7900)	105 (2680)	128 (3227)	334 (8463)
320 (8150)	108 (2766)	131 (3313)	344 (8713)
330 (8400)	112 (2852)	134 (3399)	353 (8963)
340 (8650)	115 (2938)	138 (3485)	363 (9213)
350 (8900)	119 (3024)	141 (3571)	373 (9463)
360 (8900)	122 (3110)	144 (3657)	383 (9713)
370 (9400)	125 (3196)	148 (3753)	393 (9963)
379 (9650)	129 (3282)	152 (3839)	403 (10213)
389 (9900)	132 (3368)	155 (3925)	412 (10463)
399 (10150)	135 (3454)	158 (4011)	422 (10713)
409 (10400)	139 (3540)	162 (4097)	432 (10963)
419 (10650)	142 (3626)	165 (4183)	442 (11213)
429 (10900)	146 (3712)	169 (4269)	452 (11463)
438 (11150)	149 (3798)	172 (4355)	462 (11713)
448 (11400)	152 (3884)	175 (4441)	471 (11963)

³ With load backrest 39.37" height, add 20"; with load backrest 59.06" height, add 39.69".

MR20HD - Mast Details, Heavy Duty 3-Stage Full Free Lift

Lift (4.4)	Free Lift (4.3)	Height of Mast Lowered (4.2)	Height of Mast Extended w/o LBR (4.5) ¹
in (mm)	in (mm)	in (mm)	in (mm)
305 (7750)	102 (2614)	128 (3227)	330 (8363)
314 (8000)	106 (2700)	131 (3313)	340 (8613)
324 (8250)	109 (2786)	134 (3399)	349 (8863)
334 (8500)	113 (2872)	138 (3485)	359 (9113)
344 (8750)	116 (2958)	141 (3571)	369 (9363)
354 (9000)	119 (3044)	144 (3657)	379 (9613)
364 (9250)	123 (3130)	148 (3753)	389 (9863)
374 (9500)	126 (3216)	152 (3839)	399 (10113)
383 (9750)	130 (3302)	155 (3925)	408 (10363)
393 (10000)	133 (3388)	158 (4011)	418 (10613)
403 (10250)	136 (3474)	162 (4097)	428 (10863)
413 (10500)	140 (3560)	165 (4183)	438 (11113)
423 (10750)	143 (3646)	169 (4269)	448 (11363)
433 (11000)	146 (3732)	172 (4355)	458 (11613)
442 (11250)	150 (3818)	175 (4441)	468 (11863)
452 (11500)	153 (3904)	179 (4527)	477 (12113)
462 (11750)	157 (3990)	182 (4613)	487 (12363)
472 (12000)	160 (4076)	185 (4699)	497 (12613)
482 (12250)	163 (4162)	189 (4785)	507 (12863)
492 (12500)	167 (4248)	192 (4871)	517 (13113)
501 (12750)	170 (4334)	196 (4957)	527 (13373)

¹ With load backrest 39.37" height, add 17.44"; with load backrest 59.06" height, add 37.12".

MR14 Truck Dimensions For Batteries

1.8	Load distance, center of drive axle to fork	in (mm)	15.81 (402)	12.97 (330)	15.81 (402)	12.97 (330)	10.14 (258)
1.9	Wheelbase	in (mm)	55.12 (1400)	55.12 (1400)	55.12 (1400)	55.12 (1400)	55.12 (1400)
2.1	Service weight	lb (kg)	6861 (3112)	7295 (3309)	6861 (3112)	7319 (3320)	7807 (3541)
2.3	Axle loading, NL front/rear ⁵	lb (kg)	4359/ 2502 (1977/1135)	4464/ 2833 (2025/1285)	4359/ 2502 (1977/1135)	4480/ 2842 (2032/1289)	4594/ 3212 (2084/1457)
2.4	Axle loading fork advanced, RL front/rear	lb (kg)	1504/ 8444 (682/3830)	1746/ 8636 (792/3917)	1504/ 8444 (682/3830)	1764/ 8644 (800/3921)	2015/ 8878 (914/4027)
2.5	Axle loading fork retracted, RL front/rear	lb (kg)	3920/ 6030 (1778/2735)	3865/ 6517 (1753/2956)	3920/ 6030 (1778/2735)	3880/ 6526 (1760/2960)	3838/ 7057 (1741/3201)
4.19	Overall length	in (mm)	93.64 (2379)	96.48 (2451)	93.64 (2379)	96.48 (2451)	99.31 (2523)
4.20	Length to face of forks	in (mm)	48.37 (1229)	51.20 (1301)	48.37 (1229)	51.20 (1301)	54.04 (1373)
4.28	Reach distance	in (mm)	23.03 (585)	20.20 (513)	23.03 (585)	20.20 (513)	17.36 (441)
4.34.1	Aisle width for pallets 39.3"x47.2" (1000mm x 1200mm) across - (L6 x b12) ⁶	in (mm)	107.01 (2718)	109.09 (2771)	107.01 (2718)	109.09 (2771)	111.26 (2826)
4.34.2	Aisle width for pallets 31.5"x47.2" (800mm x 1200mm) lengthwise - (b12 x L6) ⁶	in (mm)	108.82 (2764)	111.38 (2829)	108.82 (2764)	111.38 (2829)	113.98 (2895)
4.34.3	Aisle width for pallets 40" x 48" lengthwise (b12 x L6) ⁶	in (mm)	111.54 (2833)	113.97 (2895)	111.54 (2833)	113.97 (2895)	116.46 (2958)
4.34.4	Aisle width for pallets 48" x 48" (b12 x L6) ⁶	in (mm)	113.82 (2891)	116.13 (2950)	113.82 (2891)	116.13 (2950)	118.49 (3010)
4.34.5	Aisle width for pallets 48" x 40" across (b12 x L6) ⁶	in (mm)	107.74 (2737)	109.81 (2789)	107.74 (2737)	109.81 (2789)	111.97 (2844)
4.35	Turning radius	in (mm)	65.79 (1671)	65.79 (1671)	65.79 (1671)	65.79 (1671)	65.79 (1671)
6.3	Battery according to DIN 43531/35/36 A,B,C, no (reference only)		C	C	C "Super"	C "Super"	C "Super"
6.4	Battery voltage/nominal capacity	V/Ah	48/420	48/560	48/465	48/620	48/775
6.5	Battery weight ⁴	lb (kg)	1653 (750)	2070 (939)	1653 (750)	2094 (950)	2568 (1165)

⁴ These values may vary of +/- 5%.

⁵ Forks retracted.

⁶ Contact your local dealer for AST dimensions with cold storage cab.

All weights (2.1 to 2.5) are with lowest mast and standard forks.

RL = Rated Load, NL = No Load

MR16 Truck Dimensions For Batteries

1.8	Load distance, center of drive axle to fork	in (mm)	17.78 (452)	14.94 (380)	17.78 (452)	14.94 (380)	12.11 (308)
1.9	Wheelbase	in (mm)	57.09 (1450)	57.09 (1450)	57.09 (1450)	57.09 (1450)	57.09 (1450)
2.1	Service weight	lb (kg)	6971 (3162)	7408 (3360)	6971 (3162)	7432 (3371)	7919 (3592)
2.3	Axle loading, NL front/rear ⁵	lb (kg)	4449/2522 (2018/1144)	4561/2846 (2069/1291)	4449/2522 (2018/1144)	4579/2853 (2077/1294)	4702/3217 (2133/1459)
2.4	Axle loading fork advanced, RL front/rear	lb (kg)	1325/9176 (601/4162)	1574/9361 (714/4246)	1325/9176 (601/4162)	1590/9370 (721/4250)	1850/9595 (839/4352)
2.5	Axle loading fork retracted, RL front/rear	lb (kg)	4085/6413 (1853/2909)	4023/6911 (1825/3135)	4085/6413 (1853/2909)	4039/6920 (1832/3139)	3988/7458 (1809/3383)
4.19	Overall length	in (mm)	93.64 (2379)	96.48 (2451)	93.64 (2379)	96.48 (2451)	99.31 (2523)
4.20	Length to face of forks	in (mm)	48.37 (1229)	51.20 (1301)	48.37 (1229)	51.20 (1301)	54.04 (1373)
4.28	Reach distance	in (mm)	25.00 (635)	22.17 (563)	25.00 (635)	22.17 (563)	19.33 (491)
4.34.1	Aisle width for pallets 39.3"x47.2" (1000mm x 1200mm) across - (L6 x b12) ^{6,7}	in (mm)	107.52 (2731)	109.49 (2781)	107.52 (2731)	109.49 (2781)	111.57 (2834)
4.34.2	Aisle width for pallets 31.5"x47.2" (800mm x 1200mm) lengthwise - (b12 x L6) ^{6,7}	in (mm)	108.94 (2767)	111.42 (2830)	108.94 (2767)	111.42 (2830)	114.02 (2896)
4.34.3	Aisle width for pallets 40" x 48" lengthwise (b12 x L6) ^{6,7}	in (mm)	111.73 (2838)	114.13 (2899)	111.73 (2838)	114.13 (2899)	116.58 (2961)
4.34.4	Aisle width for pallets 48" x 48" (b12 x L6) ^{6,7}	in (mm)	114.10 (2898)	116.37 (2956)	114.10 (2898)	116.37 (2956)	118.69 (3015)
4.34.5	Aisle width for pallets 48" x 40" across (b12 x L6) ^{6,7}	in (mm)	108.22 (2749)	110.21 (2799)	108.22 (2749)	110.21 (2799)	112.31 (2853)
4.35	Turning radius	in (mm)	67.64 (1718)	67.64 (1718)	67.64 (1718)	67.64 (1718)	67.64 (1718)
6.3	Battery according to DIN 43531/35/36 A,B,C, no (reference only)		C	C	C "Super"	C "Super"	C "Super"
6.4	Battery voltage/nominal capacity	V/Ah	48/420	48/560	48/465	48/620	48/775
6.5	Battery weight ⁴	lb (kg)	1653 (750)	2070 (939)	1653 (750)	2094 (950)	2568 (1165)

MR16N Truck Dimensions For Batteries

1.8	Load distance, center of drive axle to fork	in (mm)	15.02 (382)	11.48 (292)	15.02 (382)	11.48 (292)	7.93 (202)
1.9	Wheelbase	in (mm)	57.09 (1450)	57.09 (1450)	57.09 (1450)	57.09 (1450)	57.09 (1450)
2.1	Service weight	lb (kg)	6859 (3111)	7295 (3309)	6867 (3115)	7313 (3317)	7747 (3514)
2.3	Axle loading, NL front/rear ⁵	lb (kg)	4237/2621 (1922/1189)	4292/3003 (1947/1362)	4242/2626 (1924/1191)	4303/3009 (1952/1365)	4332/3415 (1965/1549)
2.4	Axle loading fork advanced, RL front/rear	lb (kg)	1254/9132 (569/4142)	1482/9341 (672/4237)	1261/9134 (572/4143)	1493/9348 (677/4240)	1689/9583 (766/4347)
2.5	Axle loading fork retracted, RL front/rear	lb (kg)	3704/6684 (1680/3032)	3541/7282 (1606/3303)	3708/6687 (1682/3033)	3552/7288 (1611/3306)	3360/7915 (1524/3590)
4.19	Overall length	in (mm)	96.40 (2449)	99.94 (2539)	96.40 (2449)	99.94 (2539)	103.48 (2629)
4.20	Length to face of forks	in (mm)	51.12 (1299)	54.67 (1389)	51.12 (1299)	54.67 (1389)	58.21 (1479)
4.28	Reach distance	in (mm)	22.24 (565)	18.70 (475)	22.24 (565)	18.70 (475)	15.16 (385)
4.34.1	Aisle width for pallets 39.3"x47.2" (1000mm x 1200mm) across - (L6 x b12) ⁶	in (mm)	108.74 (2762)	111.34 (2828)	108.74 (2762)	111.34 (2828)	114.13 (2899)
4.34.2	Aisle width for pallets 31.5"x47.2" (800mm x 1200mm) lengthwise - (b12 x L6) ⁶	in (mm)	110.67 (2811)	113.90 (2893)	110.67 (2811)	113.90 (2893)	117.17 (2976)
4.34.3	Aisle width for pallets 40" x 48" lengthwise (b12 x L6) ⁶	in (mm)	113.35 (2879)	116.42 (2957)	113.35 (2879)	116.42 (2957)	119.56 (3037)
4.34.4	Aisle width for pallets 48" x 48" (b12 x L6) ⁶	in (mm)	115.59 (2936)	118.50 (3010)	115.59 (2936)	118.50 (3010)	121.51 (3086)
4.34.5	Aisle width for pallets 48" x 40" across (b12 x L6) ⁶	in (mm)	109.45 (2780)	112.08 (2847)	109.45 (2780)	112.08 (2847)	114.86 (2917)
4.35	Turning radius	in (mm)	66.93 (1700)	66.93 (1700)	66.93 (1700)	66.93 (1700)	66.93 (1700)
6.3	Battery according to DIN 43531/35/36 A,B,C, no (reference only)		B	B	B "Super"	B "Super"	B "Super"
6.4	Battery voltage/nominal capacity	V/Ah	48/420	48/560	48/465	48/620	48/775
6.5	Battery weight ⁴	lb (kg)	1645 (746)	2066 (937)	1653 (750)	2083 (945)	2502 (1135)

⁴ These values may vary of +/- 5%.

⁵ Forks retracted.

⁶ Contact your local dealer for AST dimensions with cold storage cab.

⁷ Contact your local dealer for AST dimensions with wide and extra wide frame options.

All weights (2.1 to 2.5) are with lowest mast and standard forks.

RL = Rated Load, NL = No Load

MR20 Truck Dimensions For Batteries

1.8	Load distance, center of drive axle to fork	in (mm)	16.91 (430)	16.91 (430)	14.07 (358)
1.9	Wheelbase	in (mm)	59.06 (1500)	59.06 (1500)	59.06 (1500)
2.1	Service weight	lb (kg)	7970 (3615)	7994 (3626)	8481 (3847)
2.3	Axle loading, NL front/rear ⁵	lb (kg)	4985/2985 (2261/1354)	5000/2994 (2268/1358)	5128/3351 (2326/1520)
2.4	Axle loading fork advanced, RL front/rear	lb (kg)	1479/10897 (671/4943)	1497/10906 (679/4947)	1766/11125 (801/5046)
2.5	Axle loading fork retracted, RL front/rear	lb (kg)	4480/7899 (2032/3583)	4495/7906 (2039/3586)	4414/8477 (2002/3845)
4.19	Overall length	in (mm)	96.48 (2451)	96.48 (2451)	99.31 (2523)
4.20	Length to face of forks	in (mm)	51.20 (1301)	51.20 (1301)	54.04 (1373)
4.28	Reach distance	in (mm)	24.13 (613)	24.13 (613)	21.30 (541)
4.34.1	Aisle width for pallets 39.3"x47.2" (1000mm x 1200mm) across - (L6 x b12) ^{6,7}	in (mm)	110.04 (2795)	110.04 (2795)	112.05 (2846)
4.34.2	Aisle width for pallets 31.5"x47.2" (800mm x 1200mm) lengthwise - (b12 x L6) ^{6,7}	in (mm)	111.61 (2835)	111.61 (2835)	114.17 (2900)
4.34.3	Aisle width for pallets 40" x 48" lengthwise (b12 x L6) ^{6,7}	in (mm)	114.39 (2906)	114.39 (2906)	116.80 (2967)
4.34.4	Aisle width for pallets 48" x 48" (b12 x L6) ^{6,7}	in (mm)	116.72 (2965)	116.72 (2965)	119.00 (3023)
4.34.5	Aisle width for pallets 48" x 40" across (b12 x L6) ^{6,7}	in (mm)	110.75 (2813)	110.75 (2813)	112.78 (2865)
4.35	Turning radius	in (mm)	69.57 (1767)	69.57 (1767)	69.57 (1767)
6.3	Battery according to DIN 43531/35/36 A,B,C, no (reference only)		C	C "Super"	C "Super"
6.4	Battery voltage/nominal capacity	V/Ah	48/560	48/620	48/775
6.5	Battery weight ⁴	lb (kg)	2070 (939)	2094 (950)	2568 (1165)

MR25 Truck Dimensions For Batteries

1.8	Load distance, center of drive axle to fork	in (mm)	19.78 (503)	19.78 (503)	16.95 (431)
1.9	Wheelbase	in (mm)	64.96 (1650)	64.96 (1650)	64.96 (1650)
2.1	Service weight	lb (kg)	8902 (4038)	9004 (4084)	9462 (4292)
2.3	Axle loading, NL front/rear ⁵	lb (kg)	5556/3347 (2520/1518)	5626/3377 (2552/1532)	5745/3717 (2606/1686)
2.4	Axle loading fork advanced, RL front/rear	lb (kg)	1704/12710 (773/5765)	1773/12743 (804/5780)	2022/12952 (917/5875)
2.5	Axle loading fork retracted, RL front/rear	lb (kg)	5227/9187 (2371/4167)	5296/9220 (2402/4182)	5176/9797 (2348/4444)
4.19	Overall length	in (mm)	99.51 (2528)	99.51 (2528)	102.34 (2600)
4.20	Length to face of forks	in (mm)	54.23 (1378)	54.23 (1378)	57.07 (1450)
4.28	Reach distance	in (mm)	27.01 (686)	27.01 (686)	24.17 (614)
4.34.1	Aisle width for pallets 39.3"x47.2" (1000mm x 1200mm) across - (L6 x b12) ⁶	in (mm)	113.78 (2890)	113.78 (2890)	115.67 (2938)
4.34.2	Aisle width for pallets 31.5"x47.2" (800mm x 1200mm) lengthwise - (b12 x L6) ⁶	in (mm)	114.76 (2915)	114.76 (2915)	117.24 (2978)
4.34.3	Aisle width for pallets 40" x 48" lengthwise (b12 x L6) ⁶	in (mm)	117.67 (2989)	117.67 (2989)	120.02 (3049)
4.34.4	Aisle width for pallets 48" x 48" (b12 x L6) ⁶	in (mm)	120.16 (3052)	120.16 (3052)	122.36 (3108)
4.34.5	Aisle width for pallets 48" x 40" across (b12 x L6) ⁶	in (mm)	114.50 (2908)	114.50 (2908)	116.39 (2956)
4.35	Turning radius	in (mm)	75.24 (1911)	75.24 (1911)	75.24 (1911)
6.3	Battery according to DIN 43531/35/36 A,B,C, no (reference only)		C	C "Super"	C "Super"
6.4	Battery voltage/nominal capacity	V/Ah	48/700	48/775	48/930
6.5	Battery weight ⁴	lb (kg)	2467 (1119)	2568 (1165)	3016 (1368)

⁴ These values may vary of +/- 5%.

RL = Rated Load, NL = No Load

⁵ Forks retracted.

⁶ Contact your local dealer for AST dimensions with cold storage cab.

⁷ Contact your local dealer for AST dimensions with wide and extra wide frame options.

All weights (2.1 to 2.5) are with lowest mast and standard forks.

MR16HD Truck Dimensions For Batteries

1.8	Load distance, center of drive axle to fork	in (mm)	12.11 (308)	12.11 (308)	12.11 (308)
1.9	Wheelbase	in (mm)	57.09 (1450)	57.09 (1450)	57.09 (1450)
2.1	Service weight	lb (kg)	8902 (4038)	8927 (4049)	9414 (4270)
2.3	Axle loading, NL front/rear ⁵	lb (kg)	5329/3574 (2417/1621)	5344/3583 (2424/1625)	5417/3997 (2457/1813)
2.4	Axle loading fork advanced, RL front/rear	lb (kg)	1947/10483 (883/4755)	1964/10490 (891/4758)	2224/10717 (1009/4861)
2.5	Axle loading fork retracted, RL front/rear	lb (kg)	4788/7641 (2172/3466)	4806/7648 (2180/3469)	4705/8236 (2134/3736)
4.19	Overall length	in (mm)	99.31 (2523)	99.31 (2523)	99.31 (2523)
4.20	Length to face of forks	in (mm)	54.04 (1373)	54.04 (1373)	54.04 (1373)
4.28	Reach distance	in (mm)	19.33 (491)	19.33 (491)	19.33 (491)
4.34.1	Aisle width for pallets 39.3"x47.2" (1000mm x 1200mm) across - (L6 x b12) ^{6,7}	in (mm)	111.57 (2834)	111.57 (2834)	111.57 (2834)
4.34.2	Aisle width for pallets 31.5"x47.2" (800mm x 1200mm) lengthwise - (b12 x L6) ^{6,7}	in (mm)	114.02 (2896)	114.02 (2896)	114.02 (2896)
4.34.3	Aisle width for pallets 40" x 48" lengthwise (b12 x L6) ^{6,7}	in (mm)	116.58 (2961)	116.58 (2961)	116.58 (2961)
4.34.4	Aisle width for pallets 48" x 48" (b12 x L6) ^{6,7}	in (mm)	118.69 (3015)	118.69 (3015)	118.69 (3015)
4.34.5	Aisle width for pallets 48" x 40" across (b12 x L6) ^{6,7}	in (mm)	112.31 (2853)	112.31 (2853)	112.31 (2853)
4.35	Turning radius	in (mm)	67.64 (1718)	67.64 (1718)	67.64 (1718)
6.3	Battery according to DIN 43531/35/36 A,B,C, no (reference only)		C	C "Super"	C "Super"
6.4	Battery voltage/nominal capacity	V/Ah	48/560	48/620	48/775
6.5	Battery weight ⁴	lb (kg)	2070 (939)	2094 (950)	2568 (1165)

MR20HD Truck Dimensions For Batteries

1.8	Load distance, center of drive axle to fork	in (mm)	13.88 (353)	13.88 (353)	11.04 (281)
1.9	Wheelbase	in (mm)	59.06 (1500)	59.06 (1500)	59.06 (1500)
2.1	Service weight	lb (kg)	9755 (4425)	9857 (4471)	10315 (4679)
2.3	Axle loading, NL front/rear ⁵	lb (kg)	5659/4096 (2567/1858)	5725/4131 (2597/1874)	5767/4548 (2616/2063)
2.4	Axle loading fork advanced, RL front/rear	lb (kg)	1964/12200 (891/5534)	2030/12236 (921/5550)	2258/12467 (1024/5655)
2.5	Axle loading fork retracted, RL front/rear	lb (kg)	4927/9235 (2235/4189)	4996/9270 (2266/4205)	4826/9899 (2189/4490)
4.19	Overall length	in (mm)	99.51 (2528)	99.51 (2528)	102.34 (2600)
4.20	Length to face of forks	in (mm)	54.23 (1378)	54.23 (1378)	57.07 (1450)
4.28	Reach distance	in (mm)	21.10 (536)	21.10 (536)	18.27 (464)
4.34.1	Aisle width for pallets 39.3"x47.2" (1000mm x 1200mm) across - (L6 x b12) ⁶	in (mm)	112.20 (2850)	112.20 (2850)	114.29 (2903)
4.34.2	Aisle width for pallets 31.5"x47.2" (800mm x 1200mm) lengthwise - (b12 x L6) ⁶	in (mm)	114.33 (2904)	114.33 (2904)	116.93 (2970)
4.34.3	Aisle width for pallets 40" x 48" lengthwise (b12 x L6) ⁶	in (mm)	116.97 (2971)	116.97 (2971)	119.44 (3034)
4.34.4	Aisle width for pallets 48" x 48" (b12 x L6) ⁶	in (mm)	119.16 (3027)	119.16 (3027)	121.51 (3086)
4.34.5	Aisle width for pallets 48" x 40" across (b12 x L6) ⁶	in (mm)	112.92 (2868)	112.92 (2868)	115.06 (2923)
4.35	Turning radius	in (mm)	69.57 (1767)	69.57 (1767)	69.57 (1767)
6.3	Battery according to DIN 43531/35/36 A,B,C, no (reference only)		C	C "Super"	C "Super"
6.4	Battery voltage/nominal capacity	V/Ah	48/700	48/775	48/930
6.5	Battery weight ⁴	lb (kg)	2467 (1119)	2568 (1165)	3016 (1368)

⁴ These values may vary of +/- 5%.

RL = Rated Load, NL = No Load

⁵ Forks retracted.

⁶ Contact your local dealer for AST dimensions with cold storage cab.

⁷ Contact your local dealer for AST dimensions with wide and extra wide frame options.

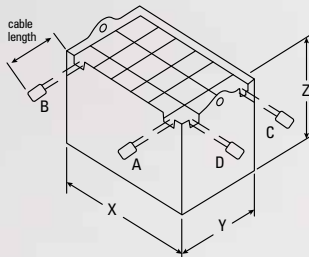
All weights (2.1 to 2.5) are with lowest mast and standard forks.

MR series

Models: MR14, MR16, MR16N, MR16HD, MR20, MR20HD, MR25

Truck Dimensions For Batteries

TRUCK MODEL	Compartment Dimensions-Max.			Battery Dimensions-Max.			Volts	No. of Cells	Amp Hr Capacity Range	Weight	
	Width	Length	Height	X	Y	Z				Min	Max
	in (mm)	in (mm)	in (mm)	in (mm)	in (mm)	in (mm)				lb (kg)	lb (kg)
				+0"/-0.12" (+0/-3)	+0"/-0.12" (+0/-3)	+0"/-0.08" (+0/-2)					
MR14 - 3,000lb	48.15 (1223)	11.26 (286)	30.94 (786)	48.11 (1222)	11.14 (283)	30.87 (784)	48	24	420-465	1572 (713)	1737 (788)
MR14 - 3,000lb	48.15 (1223)	14.09 (358)	30.94 (786)	48.11 (1222)	13.98 (355)	30.87 (784)	48	24	560-620	1967 (892)	2200 (998)
MR14 - 3,000lb	48.15 (1223)	16.93 (430)	30.94 (786)	48.11 (1222)	16.81 (427)	30.87 (784)	48	24	700-775	2344 (1063)	2696 (1223)
MR16 - 3,500lb	48.15 (1223)	11.26 (286)	30.94 (786)	48.11 (1222)	11.14 (283)	30.87 (784)	48	24	420-465	1572 (713)	1737 (788)
MR16 - 3,500lb	48.15 (1223)	14.09 (358)	30.94 (786)	48.11 (1222)	13.98 (355)	30.87 (784)	48	24	560-620	1967 (892)	2200 (998)
MR16 - 3,500lb	48.15 (1223)	16.93 (430)	30.94 (786)	48.11 (1222)	16.81 (427)	30.87 (784)	48	24	700-775	2344 (1063)	2696 (1223)
MR16N - 3,500lb	40.75 (1035)	14.09 (358)	30.94 (786)	40.71 (1034)	13.90 (353)	30.87 (784)	48	24	420-465	1563 (709)	1737 (788)
MR16N - 3,500lb	40.75 (1035)	17.56 (446)	30.94 (786)	40.71 (1034)	17.44 (443)	30.87 (784)	48	24	560-620	1962 (890)	2187 (992)
MR16N - 3,500lb	40.75 (1035)	21.10 (536)	30.94 (786)	40.71 (1034)	20.98 (533)	30.87 (784)	48	24	700-775	2344 (1063)	2628 (1192)
MR20 - 4,500lb	48.15 (1223)	14.09 (358)	30.94 (786)	48.11 (1222)	13.98 (355)	30.87 (784)	48	24	560-620	1967 (892)	2200 (998)
MR20 - 4,500lb	48.15 (1223)	16.93 (430)	30.94 (786)	48.11 (1222)	16.81 (427)	30.87 (784)	48	24	700-775	2344 (1063)	2696 (1223)
MR25 - 5,500lb	48.15 (1223)	16.93 (430)	30.94 (786)	48.11 (1222)	16.81 (427)	30.87 (784)	48	24	700-775	2344 (1063)	2696 (1223)
MR25 - 5,500lb	48.15 (1223)	19.76 (502)	30.94 (786)	48.11 (1222)	19.65 (499)	30.87 (784)	48	24	840-930	2736 (1241)	3166 (1436)
MR16HD - 3,500lb	48.15 (1223)	14.09 (358)	30.94 (786)	48.11 (1222)	13.98 (355)	30.87 (784)	48	24	560-620	1967 (892)	2200 (998)
MR16HD - 3,500lb	48.15 (1223)	16.93 (430)	30.94 (786)	48.11 (1222)	16.81 (427)	30.87 (784)	48	24	700-775	2344 (1063)	2696 (1223)
MR20HD - 4,500lb	48.15 (1223)	16.93 (430)	30.94 (786)	48.11 (1222)	16.81 (427)	30.87 (784)	48	24	700-775	2344 (1063)	2696 (1223)
MR20HD - 4,500lb	48.15 (1223)	19.76 (502)	30.94 (786)	48.11 (1222)	19.65 (499)	30.87 (784)	48	24	840-930	2736 (1241)	3166 (1436)
MR2.0HD - 4,500lb	46.97 (1193)	19.37 (492)	30.94 (786)	46.85 (1190)	19.22 (488)	30.56 (776)	48	24	980-1085	2866 (1300)	3452 (1566)



Battery compartment length is measured from front to rear.
 Battery compartment width is measured across the truck.
 Battery connector: 350 amp/48 volt (SB350 blue)
 Battery lead: length 31.5" (800 mm) "A" position.
 Battery cover - not needed



YALE MATERIALS HANDLING CORPORATION • P.O. Box 7367, Greenville, NC 27835-7367

www.yale.com Manufactured in our own ISO 9001 and 14001 Registered Facilities

Yale is a Registered Trademark and  is a Registered Copyright. ©Yale Materials Handling Corporation 2016. All Rights Reserved.

Truck performance may be affected by the condition of the vehicle, how it is equipped and the application. Consult your Yale® Industrial Truck Dealer if any of the information shown is critical to your application. Specifications are subject to change without notice. CERTIFICATION: Yale lift trucks meet the design and construction requirements of B56.1-1969, per OSHA Section 1910.178(a)(2), and also comply with the B56.1 revision in effect at time of manufacture. Certification of compliance with the applicable ANSI standards appears on the lift truck. The Yale® products included in this document may be covered by US patent 6,684,148 and other patents pending.