

NR/ NDR series

3,000lb - 4,500lb



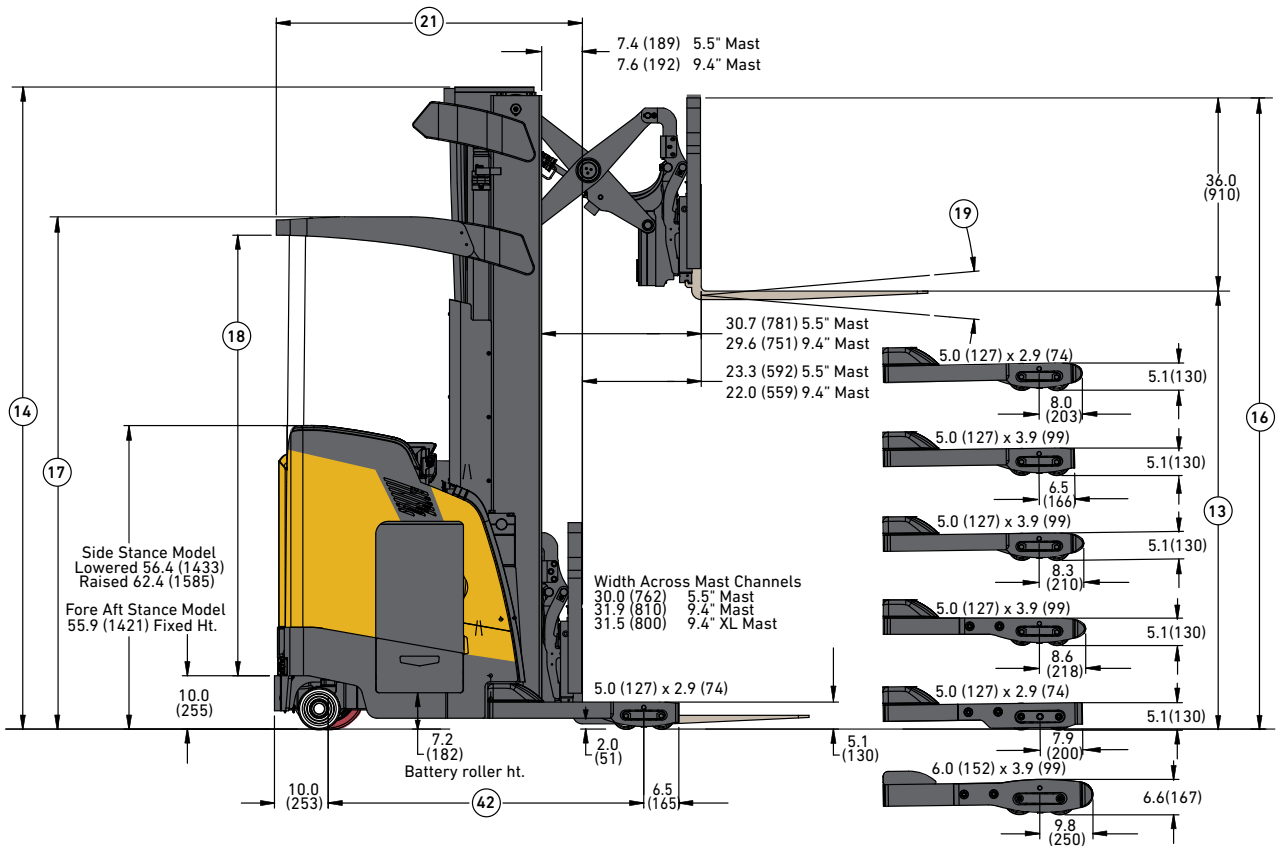
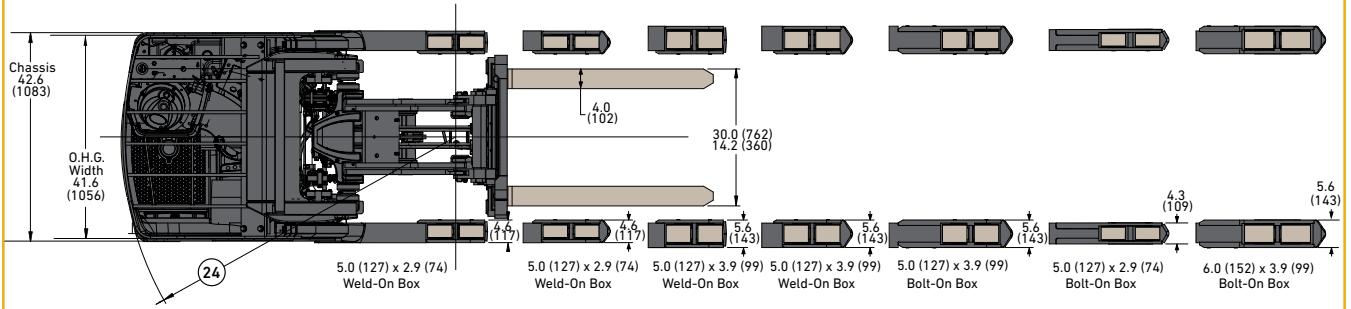
Narrow Aisle Reach Trucks



SPEC SHEET

Models: NR035EC, NR040EC, NR045EC, NDR030EC, NDR035EC

TRUCK DIMENSIONS NR035-045EC



Circled dimensions correspond to the line numbers on the tabulated chart inside the Technical Guide. Dimensions are in inches (millimeters).

GENERAL SPECIFICATIONS NR035-045EC

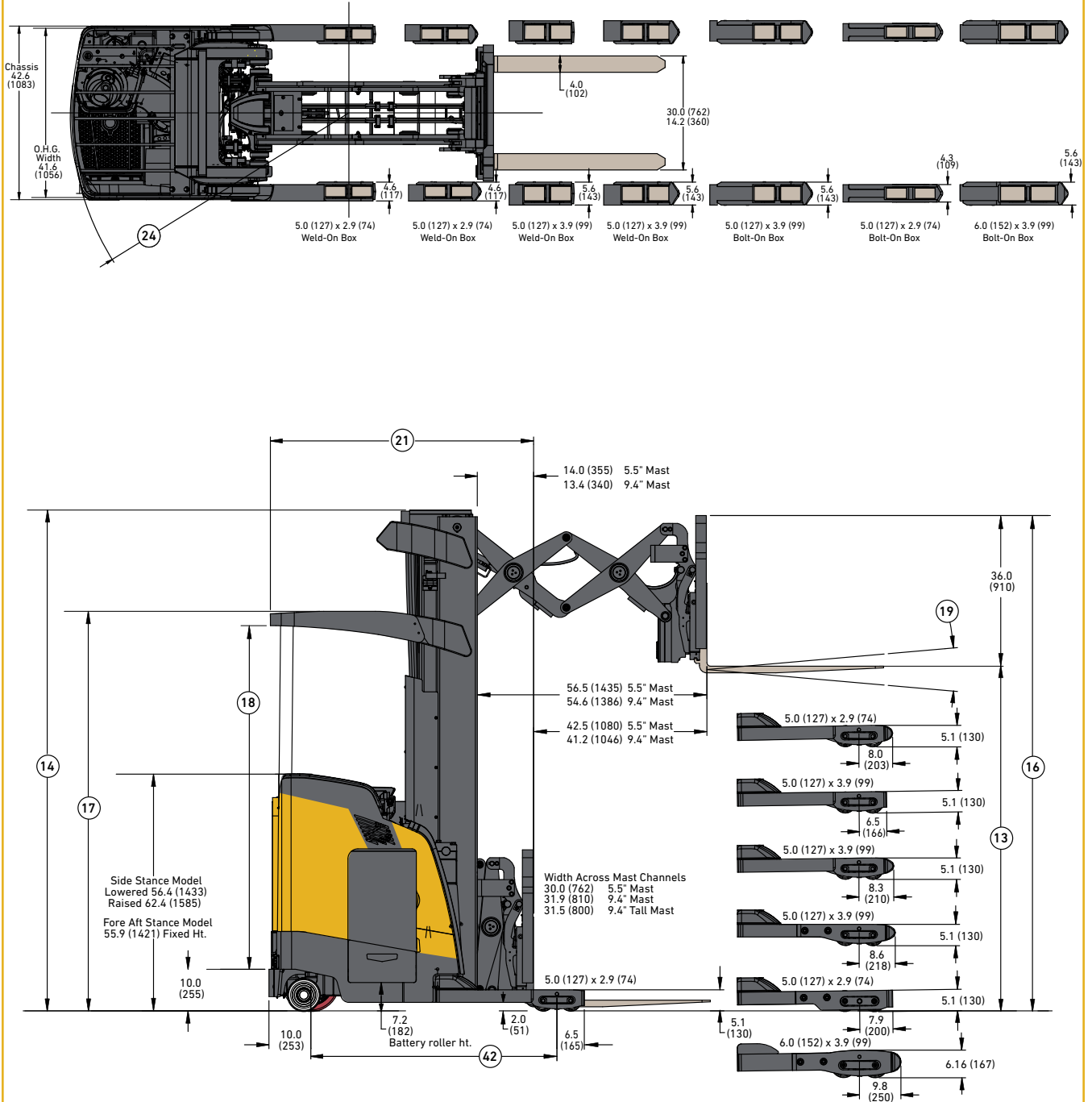
				Yale		Yale		Yale		
GENERAL	1	Manufacturer name		Yale		Yale		Yale		
	2	Model		NR035EC		NR040EC		NR045EC		
	3	Wheel base designation *		SWB		SWB		SWB		
	4	Rated capacity	lb (kg)	3500 (1588)		4000 (1814)		4500 (2041)		
	5	Load center, distance	in (mm)			24 (610)				
	6	Power type - electric, diesel, LPG				Electric - 36V				
	7	Operator type				Stand				
	8	Tire type - load/caster/drive				Poly/Poly/Poly				
	9	Wheels, number load/drive (x=driven)				4 / 2 (1x)				
WT.	10	Truck weight, without battery (approximate)	lb	5400		5400		5930		
	12	Axle loading with assembly retracted (front/rear) **	lb	6874/4375		7459/4290		8546/4228		
DIMENSIONS	13	Height, standard lift (TOF)	in (mm)							
	14	Height, standard mast lowered (OALH)	in (mm)							
	15	Height, freelif (TOF)	in (mm)							
	16	Height, standard mast extended w/LBR	in (mm)			See mast table				
	17	Height, top of OHG	in (mm)							
	18	Height, operator clearance	in (mm)							
	19	Mast tilt angle, forward/back	degrees			3 / 4				
	20	Forks, standard (length x width x thickness)	in	1.60 x 3.9 x 42		1.80 x 3.9 x 42		1.80 x 3.9 x 42		
	21	Headlength to face of forks - all battery compartments ***	in (mm)			See mast table				
	22	Outrigger ID	in			34" - 49" (1" increments)				
	23	Battery compartment size, 14.25" - (LxWxH)		39.0 x 14.25 x 31.5		39.0 x 14.25 x 31.5		N/A		
		Battery compartment size, 16.25" - (LxWxH)	in	39.0 x 16.25 x 31.5		39.0 x 16.25 x 31.5		39.0 x 16.25 x 31.5		
		Battery compartment size, 18.25" - (LxWxH)	in	N/A		N/A		39.0 x 18.25 x 31.5		
		Battery compartment size, 21.25" - (LxWxH)	in	N/A		N/A		39.0 x 21.25 x 31.5		
					5.5" Mast	9.4" Mast	5.5" Mast	9.4" Mast	9.4" Mast	
24	Turning radius - min. outside, 14.25" batt. compartment	in	65.6	N/A	65.6	N/A	N/A			
	Turning radius - min. outside, 16.25" batt. compartment	in	67.6	N/A	67.6	68.5	68.5			
	Turning radius - min. outside, 18.25" batt. compartment	in	N/A		N/A		70.5			
	Turning radius - min. outside, 21.25" batt. compartment	in	N/A		N/A		73.5			
25	Aisle width - zero clearance - right angle stack				See right angle stack table					
PERFORMANCE	26	Stability - comply with ANSI				YES				
		Travel speed		Standard	Optional	Standard	Optional	Standard	Optional	
	28	Rearward (chassis first) - empty/RL	mph	7.5/7.0	N/A	7.5/7.0 †	N/A	7.5/7.0 †	8.0/7.0 †	
	29	Forward (forks first) - empty/RL	mph	6.6/5.8	N/A	6.6/5.8 †	N/A	6.6/5.8 †	6.8/5.8 †	
		Lift speed ****		Standard 5.5" mast	Optional 9.4" mast	Standard 5.5" mast	Optional 9.4" mast	Standard 9.4" mast	Optional 9.4" mast	
	31	Empty	ft/min	130	N/A	130	150	150	175	
	31a	1,000 lb.	ft/min	110	N/A	110	133	133	150	
	32	2,000 lb.	ft/min	95	N/A	95	115	115	130	
	33	3,000 lb.	ft/min	78	N/A	78	100	100	115	
	34	3,500 lb.	ft/min	75	N/A	75	87	87	105	
35	4,000 lb.	ft/min	N/A	N/A	70	83	83	100		
36	4,500 lb.	ft/min	N/A	N/A	N/A	N/A	80	95		
37	Lowering speeds, empty ****	ft/min	110	N/A	110	140	140	160 ††		
38	Lowering speeds, RL ****	ft/min	110	N/A	110	140	140	160 ††		
WHEELS & TIRES	39	Size - front load wheels, standard		5 x 3.9		5 x 3.9		5 x 3.9		
	41	Size, standard - drive tire/dual casters				13.5 x 5.5 / 7.9 x 2.2				
	42	Wheelbase - 14.25" battery compartment	in	55.6	N/A	55.6	N/A	N/A		
		Wheelbase - 16.25" battery compartment	in	57.6	N/A	57.6	58.5	58.5		
		Wheelbase - 18.25" battery compartment	in	N/A		N/A		60.5		
		Wheelbase - 21.25" battery compartment	in	N/A		N/A		63.5		
	43	Brakes, service/parking (method of control)				Foot / Auto				
	44	Brakes, service/parking (method of operation)				Regen / spring apply (electric release)				
	ELECTRIC	45	Battery type				Lead acid (std), Li-Ion (opt), fuel cell (opt)			
		46	Traction motor rating (60 minute rating)	hp (kw)			8.9 (6.6)			
47		Hoist motor rating (5 minute rating)	hp (kw)			29.2 (21.8)				
48		Traction motor control method				Transistor				
49		Hoist motor control method				Transistor				
50		Number of speeds				Infinitely variable				

* Short or long wheelbase is for double reach only. LWB for double reach masts 332" and below
 ** Static with rated load and max. wt. battery
 *** Includes integral sideshift, subtract 1" for without sideshift
 **** Lift and lower speeds reduced for UL EE

† Travel speed will be reduced to 7.5 / 7.0 mph (empty / rated load) with MFHs above 341" in the forks trailing direction. Travel speed will be reduced to 6.6 / 5.8 mph (empty / rated load) with MFHs above 341" in the forks leading direction.
 Travel Speed is reduced to 7.0mph for loads 2500lbs and greater in the forks trailing direction.
 Travel Speed is reduced to 5.8mph for loads 2500lbs and greater in the forks leading direction.

†† High speed lowering and high speed lift are separate options
 SWB = Short Wheel Base; LWB = Long Wheel Base

TRUCK DIMENSIONS NDR030-035EC



Circled dimensions correspond to the line numbers on the tabulated chart inside the Technical Guide. Dimensions are in inches (millimeters).

GENERAL SPECIFICATIONS NDR030-035EC

		Yale				Yale			
		NDR030EC				NDR035EC			
GENERAL	1	Manufacturer name							
	2	Model							
	3	Wheel base designation *	LWB	SWB	LWB	SWB	LWB	SWB	
	4	Rated capacity	3000 (1361)				3500 (1588)		
	5	Load center, distance	24 (610)						
	6	Power type - electric, diesel, LPG	Electric - 36V						
	7	Operator type	Stand						
	8	Tire type - load/caster/drive	Poly/Poly/Poly						
	9	Wheels, number load/drive (x=driven)	4 / 2 (1x)						
WT.	10	Truck weight, without battery (approximate)	5650				6190		
	12	Axle loading with assembly retracted (front/rear) **	6409/4589				7578/4458		
DIMENSIONS	13	Height, standard lift (TOF)	See mast table						
	14	Height, standard mast lowered (OALH)							
	15	Height, freelif (TOF)							
	16	Height, standard mast extended w/LBR							
	17	Height, top of OHG							
	18	Height, operator clearance							
	19	Mast tilt angle, forward/back	3 / 4						
	20	Forks, standard (length x width x thickness)	1.60 x 3.9 x 42				1.60 x 3.9 x 42		
	21	Headlength to face of forks - all battery compartments ***	See mast table						
	22	Outrigger ID	34" - 49" (1" increments)						
	23	Battery compartment size, 14.25" - (LxWxH)	39.0 x 14.25 x 31.5				N/A		
		Battery compartment size, 16.25" - (LxWxH)	39.0 x 16.25 x 31.5				39.0 x 16.25 x 31.5		
		Battery compartment size, 18.25" - (LxWxH)	N/A				39.0 x 18.25 x 31.5		
		Battery compartment size, 21.25" - (LxWxH)	N/A				39.0 x 21.25 x 31.5		
				5.5" Mast		9.4" Mast		9.4" Mast	
24	Turning radius - min. outside, 14.25" batt. compartment	in	70.6	N/A	N/A	N/A	N/A		
	Turning radius - min. outside, 16.25" batt. compartment	in	72.6	N/A	72.6	68.5	72.6 / 68.5		
	Turning radius - min. outside, 18.25" batt. compartment	in	N/A				74.6	70.5	
	Turning radius - min. outside, 21.25" batt. compartment	in	N/A				77.6	73.5	
25	Aisle width - zero clearance - right angle stack	See right angle stack table							
PERFORMANCE	26	Stability - comply with ANSI	YES						
		Travel speed	Standard		Optional		Standard	Optional	
	28	Rearward (chassis first) - empty/RL	mph	7.5/7.0 †	N/A		7.5/7.0 †	8.0/7.0 †	
	29	Forward (forks first) - empty/RL	mph	6.6/5.8 †	N/A		6.6/5.8 †	6.8/5.8 †	
		Lift speed ****		Standard 5.5" mast	Optional 9.4" mast		Standard 9.4" mast	Optional 9.4" mast	
	31	Empty	ft/min	130	150		150	175	
	31a	1,000 lb.	ft/min	110	133		135	150	
	32	2,000 lb.	ft/min	95	115		120	130	
	33	3,000 lb.	ft/min	78	100		103	115	
	34	3,500 lb.	ft/min	N/A	N/A		95	95	
35	4,000 lb.	ft/min	N/A	N/A		N/A	N/A		
36	4,500 lb.	ft/min	N/A	N/A		N/A	N/A		
37	Lowering speeds, empty ****	ft/min	110	140		140	160 ††		
38	Lowering speeds, RL ****	ft/min	110	140		140	160 ††		
WHEELS & TIRES	39	Size - front load wheels, standard	5 x 2.9				5 x 2.9		
	41	Size, standard - drive tire/dual casters	13.5 x 5.5 / 7.9 x 2.2						
			5.5" Mast		9.4" Mast		9.4" Mast		
	42	Wheelbase - 14.25" battery compartment	in	60.6	N/A	N/A	N/A	N/A	
		Wheelbase - 16.25" battery compartment	in	62.6	N/A	62.6	58.5	62.6 / 58.5	
		Wheelbase - 18.25" battery compartment	in	N/A				64.6	60.5
		Wheelbase - 21.25" battery compartment	in	N/A				67.6	63.5
43	Brakes, service/parking (method of control)	Foot / Auto							
44	Brakes, service/parking (method of operation)	Regen / spring apply (electric release)							
ELECTRIC	45	Battery type	Lead acid (std), Li-Ion (opt), fuel cell (opt)						
	46	Traction motor rating (60 minute rating)	hp (kw)	8.9 (6.6)					
	47	Hoist motor rating (5 minute rating)	hp (kw)	29.2 (21.8)					
	48	Traction motor control method	Transistor						
	49	Hoist motor control method	Transistor						
	50	Number of speeds	Infinitely variable						

* Short or long wheelbase is for double reach only. LWB for double reach masts 332" and below
 ** Static with rated load and max. wt. battery
 *** Includes integral sideshift, subtract 1" for without sideshift
 **** Lift and lower speeds reduced for UL EE

† Travel speed will be reduced to 7.5 / 7.0 mph (empty / rated load) with MFHs above 341" in the forks trailing direction. Travel speed will be reduced to 6.6 / 5.8 mph (empty / rated load) with MFHs above 341" in the forks leading direction. Travel Speed is reduced to 7.0mph for loads 2500lbs and greater in the forks trailing direction. Travel Speed is reduced to 5.8mph for loads 2500lbs and greater in the forks leading direction.
 †† High speed lowering and high speed lift are separate options
 SWB = Short Wheel Base; LWB = Long Wheel Base

NR035-040EC & NDR030EC MAST DIMENSIONS (5.5" STANDARD)

Overall Lowered Ht.	Max. Fork Height (TOF)	Free-Lift (TOF)	Overall Height (Mast Extended) Highest Point w/36" LBR	Overhead Guard Height to Top	Operator Clearance	Head Length (Length to Face of Forks)				
						14.25"		16.25"		
						Single Reach	Double Reach	Single Reach	Double Reach	
in (mm)	in (mm)	in (mm)	in (mm)	in (mm)	in (mm)	in (mm)	in (mm)	in (mm)	in (mm)	
3-Stage Full Free-Lift (FFL) VISTA™ Mast										
87 (2210)	191 (4851)	48 (1219)	230 (5842)	87 (2212)	74.3 (1887)	52.16	57.83	54.21	59.88	
91 (2311)	203 (5156)	52 (1321)	242 (6147)	91 (2314)	78.3 (1989)	52.16	57.83	54.21	59.88	
95 (2413)	212 (5385)	56 (1422)	251 (6375)	95 (2416)	82.3 (2090)	52.16	57.83	54.21	59.88	
101 (2565)	227 (5766)	62 (1575)	266 (6756)	95 (2416)	82.3 (2090)	52.16	57.83	54.21	59.88	
107 (2718)	242 (6147)	68 (1727)	281 (7137)	95 (2416)	82.3 (2090)	52.16	57.83	54.21	59.88	
110 (2794)	251 (6375)	71 (1803)	290 (7366)	95 (2416)	82.3 (2090)	52.16	57.83	54.21	59.88	
119 (3023)	272 (6909)	80 (2032)	311 (7899)	95 (2416)	82.3 (2090)	52.16	57.83	54.21	59.88	
125 (3175)	287 (7290)	86 (2184)	325 (8255)	95 (2416)	82.3 (2090)	52.16	57.83	54.21	59.88	
131 (3327)	302 (7671)	92 (2337)	340 (8636)	95 (2416)	82.3 (2090)	52.16	57.83	54.21	59.88	

NR040-045EC & NDR030-035EC MAST DIMENSIONS (9.4" PREMIUM)

Overall Lowered Ht.	Max. Fork Height (TOF)	Free-Lift (TOF)	Overall Height (Mast Extended) Highest Point w/36" LBR	Overhead Guard Height to Top	Operator Clearance	Head Length (Length to Face of Forks)					
						16.25"		18.25"		21.25"	
						Single Reach	Double Reach	Single Reach	Double Reach	Single Reach	Double Reach
in (mm)	in (mm)	in (mm)	in (mm)	in (mm)	in (mm)	in (mm)	in (mm)	in (mm)	in (mm)	in (mm)	in (mm)
3-Stage Full Free-Lift (FFL) VISTA™ Mast											
95 (2413)	210 (5334)	59 (1509)	246 (6248)	95 (2416)	82.3 (2090)	57.20	62.91	59.17	64.92	62.12	67.91
107 (2718)	241 (6121)	71 (1814)	277 (7036)	95 (2416)	82.3 (2090)	57.20	62.91	59.17	64.92	62.12	67.91
110 (2794)	250 (6350)	74 (1890)	286 (7264)	95 (2416)	82.3 (2090)	57.20	62.91	59.17	64.92	62.12	67.91
119 (3023)	272 (6909)	83 (2118)	308 (7823)	95 (2416)	82.3 (2090)	57.20	62.91	59.17	64.92	62.12	67.91
125 (3175)	287 (7290)	89 (2271)	323 (8204)	95 (2416)	82.3 (2090)	57.20	62.91	59.17	64.92	62.12	67.91
131 (3327)	302 (7671)	95 (2423)	338 (8585)	95 (2416)	82.3 (2090)	57.20	62.91	59.17	64.92	62.12	67.91
140 (3556)	321 (8153)	104 (2652)	357 (9068)	95 (2416)	82.3 (2090)	57.20	62.91	59.17	64.92	62.12	67.91
143 (3632)	332 (8433)	107 (2728)	368 (9347)	95 (2416)	82.3 (2090)	57.20	62.91	59.17	64.92	62.12	67.91
149 (3785)	341 (8661)	113 (2880)	377 (9576)	95 (2416)	82.3 (2090)	57.20	62.91	59.17	64.92	62.12	67.91
157 (3988)	368 (9347)	121 (3084)	404 (10262)	95 (2416)	82.3 (2090)	57.20	62.91	59.17	64.92	62.12	67.91

NR045EC & NDR035EC MAST DIMENSIONS (9.4" XL PREMIUM)

Overall Lowered Ht.	Max. Fork Height (TOF)	Free-Lift (TOF)	Overall Height (Mast Extended) Highest Point w/36" LBR	Overhead Guard Height to Top	Operator Clearance	Head Length (Length to Face of Forks)			
						18.25"		21.25"	
						Single Reach	Double Reach	Single Reach	Double Reach
in (mm)	in (mm)	in (mm)	in (mm)	in (mm)	in (mm)	in (mm)	in (mm)	in (mm)	in (mm)
3-Stage Full Free-Lift (FFL) VISTA™ Mast									
140 (3556)	321 (8153)	104 (2652)	357 (9068)	95 (2416)	82.3 (2090)	59.17	64.92	62.12	67.91
143 (3632)	332 (8433)	107 (2728)	368 (9347)	95 (2416)	82.3 (2090)	59.17	64.92	62.12	67.91
149 (3785)	341 (8661)	113 (2880)	377 (9576)	95 (2416)	82.3 (2090)	59.17	64.92	62.12	67.91
157 (3988)	368 (9347)	121 (3084)	404 (10262)	95 (2416)	82.3 (2090)	59.17	64.92	62.12	67.91
170 (4318)	401 (10185)	134 (3414)	437 (11100)	95 (2416)	82.3 (2090)	59.17	64.92	62.12	67.91
179 (4547)	422 (10719)	143 (3642)	458 (11633)	95 (2416)	82.3 (2090)	59.17	64.92	62.12	67.91
188 (4775)	444 (11278)	152 (3871)	480 (12192)	95 (2416)	82.3 (2090)	59.17	64.92	62.12	67.91

BATTERY AND COMPARTMENT SPECIFICATIONS

Battery Specifications																						
Battery Compmt. Size	Batt. Voltage	NR035EC	NR040EC	NDR030EC	NR045EC	NDR035EC	Maximum 6 Hr Rate		Battery Compartment Dimensions						Battery Dimensions						Minimum Batt. Wt.	Maximum Batt. Wt.
							AH	KWH	"X" Max.		"Y" Max.		"Z" Max.		"X" Max.		"Y" Max.		"Z" Max.			
							in	(mm)	in	(mm)	in	(mm)	in	(mm)	in	(mm)	in	(mm)	in	(mm)		
14.25"	36	X	X	X	N/A	N/A	775	27.2	39	990	14.25	362	31.5	800	38.8	985	14	356	31	788	1600 (726)	2100 (953)
16.25"	36	X	X	X	X	X	930	32.6	39	990	16.25	413	31.5	800	38.8	985	16	406	31	788	1850 (839)	2350 (1066)
18.25"	36	N/A	N/A	N/A	X	X	1085	38.1	39	990	18.25	464	31.5	800	38.8	985	18	457	31	788	2200 (998)	2800 (1270)
21.25"	36	N/A	N/A	N/A	X	X	1240	43.5	39	990	21.25	540	31.5	800	38.8	985	21	533	31	788	2500 (1134)	3100 (1406)

Battery Connector: 24V - Red; 36V - Gray; Position "B", Lead Length 16"

Manufacturers standard cable size not to exceed 4/0 AWG

Battery compartment is designed to accommodate standard wet cell batteries with fixed lifting eyes and no cover.

Contact Applications Engineering to verify compatibility/fit when using maintenance free, covered or non-standard batteries.

FEATURES LIST

STANDARD FEATURES

Sidestance operator controls
Operator sensing system
Wire Mesh Mast Guard
EZ Ride floor
Low profile anti-fatigue floor mat
Automotive steering
Steer tiller position adjustment
36 Volt battery (includes 350 amp gray battery connector)
91" / 203" / 52" – (5.5") 3 Stage full free lift mast (NR035-040EC, NDR030EC)
95" / 210" / 59" – (9.4") 3 Stage full free lift mast (NR045EC, NDR035EC)
Single reach mast with 33.5" wide class II with integral sideshift (hook type carriage) (standard on NR035-045EC)
Double Reach Mast with 33.5" wide class II with integral sideshift (hook type carriage) (standard on NDR030-035EC)
Forks: 1.8" x 3.9" (45 mm x 100 mm) 42" (1067 mm) – class II, hook type (standard on NR040-045EC)
Forks: 1.6" x 3.9" (40 mm x 100 mm) 42" (1067 mm) – Class II, hook type (standard on NDR030-035EC and NR035EC)
5" x 3.9" Poly Articulating Tandem Load Wheels - high load compound (standard on NR035-045EC)
5" x 2.9" Poly Articulating Tandem Load Wheels - high load compound (standard on NDR030-035EC)
AC Traction, lift / lower and steering
Low step height
Transistor controller with regenerative braking
4 Independent fully programmable performance modes
Programmable traction speed and acceleration
Electric power steering
Fully proportional lift/lower control
XL-AC™ Drive tire – 13.5" x 5.5"
Dual articulating polyurethane caster wheels
Power disconnect
Key start
2 USB ports
36" High load backrest extension
Sealed battery rollers
Tilting carriage (3° Fwd, 4° Back)
Padded operator compartment
Rear post operator protection
Operator's overhead guard
Control handle with simultaneous hydraulic functions
Slack chain detection
5" Smart Display: Color Touchscreen with:
– Clock
– Bar graphic battery discharge indicator and lift interrupt
– Hour meters: truck, traction, hoist pump, and secure
– Maintenance reminders
– Programmable performance mode selection
– User passwords and Operator logs with history
– Steer wheel angle graphic indication
– Truck inspection check list
– Truck speed indication in MPH or KPH
Electronic horn
Static discharge strap
UL Classification E
Operating manual
12 Month / unlimited hours full truck warranty
3 Years / 6,000 hour powertrain warranty
Lifetime frame warranty

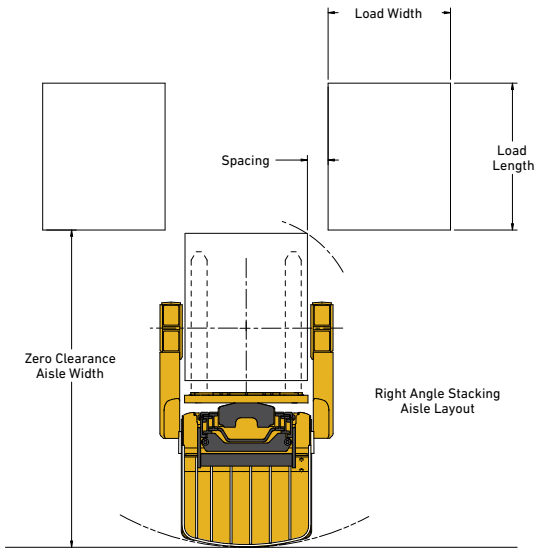
OPTIONAL FEATURES

Fore/aft stance operator controls
Reverse steering
Speed Sensitive Steering
Yale® Smart Ride Floor (full suspension floor)
Clear mast guard
(9.4") 3 Stage full free lift mast (NR040EC, NDR030EC)
Steered caster
Keyless start
7" Smart display: color touchscreen
Rotary joystick (opt – standard construction, standard – cooler/freezer/SubZero)
Battery stand
Battery puller
Battery gate interlock
Lithium ion ready
Fuel cell ready
Cooler/freezer construction (0° F to 120°F), includes rubber floor mat
SubZero freezer construction (operating temperatures -40°F to 120°F), includes rubber floor mat
SubZero freezer with heated floor and control handle (operating temperatures -40°F to 120°F), includes anti-slip floorplate covering
Tapered load wheel boxes
Bolt-on load wheel boxes
Various load wheels and drive tires
Lift limits
Lower limit - load transport position
Single reach mast without integral sideshift for standard 33.5" wide carriage **
Various fork lengths
Various I.D. outriggers (Yale)
Fork height display
Fork leveling (return to set tilt)
Return to center sideshifting
Fork camera (requires 9.4" mast)
Laser level line
Shelf height selector
48" High load backrest extension
Audible back-up and motion alarms
Visual amber strobe light
Blue LED spotlights
Operator LED desktop light
Dual LED headlights
Rear LED worklight
High speed lift (NR040EC, NDR030EC)
High speed lift / travel (NR045EC, NDR035EC)
High speed lower (requires high speed lift / travel)
Operator overhead fan
Load weight display
Reduced travel speed with carriage extended
RF terminal bracket
RF handheld scanner holder
12 Volt DC auxiliary power supply
Impact monitor
Wire mesh on top OHG
Parts manual
UL Classification EE
Rear operator compartment door * - SPED
Yale Reliant™ (available on NR045EC)
Yale Vision

** For 5.5" Mast Sideshift includes 7" travel (3.5" each side). Sideshift travel will be reduced to 3" total (1.5" each side) when Outrigger ID is less than 39" For 9.4" Mast Sideshift includes 8" travel (4" each side). Sideshift travel will be reduced to 4" total (2" each side) when Outrigger ID is less than 39"

* Doors are intended to protect the operator from objects that may enter the operator's compartment but they may also slow the operator's egress in emergency situations. A review of the forklift's intended environment should be conducted before selecting a door as optional equipment.

Right Angle Aisle Stacking



Note: These are "Zero Clearance" aisles and require an additional 6" to 12" to be added to provide for easier maneuvering.

NR035-040EC - 5.5" MAST

14.25" Battery Compartment and 42" ID					
3 Stage - 4" Between Loads					
Pallet Length (inches)	Pallet Width (inches)				
	36	40	44	48	
36	85	85	85	85	
40	87	87	86	86	
44	92	91	91	90	
48	96	96	95	95	

Subtract 1" if without sideshift
Add 2" for 16.25" battery compartment

NDR030EC - 5.5" MAST

14.25" Battery Compartment and 42" ID					
3 Stage - 6" Between Loads					
Pallet Length (inches)	Pallet Width (inches)				
	36	40	44	48	
36	87	86	86	86	
40	91	90	90	89	
44	96	95	95	94	
48	100	100	99	99	

Sideshift is standard on double reach
Add 2" for 16.25" battery compartment

NDR030EC - 9.4" MAST

16.25" Battery Compartment and 42" ID					
3 Stage - 6" Between Loads					
Pallet Length (inches)	Pallet Width (inches)				
	36	40	44	48	
36	92	91	91	90	
40	96	96	95	95	
44	101	100	100	99	
48	105	105	104	104	

Sideshift is standard on double reach

NDR035EC - 9.4" MAST

16.25" Battery Compartment and 42" ID					
3 Stage - 6" Between Loads					
Pallet Length (inches)	Pallet Width (inches)				
	36	40	44	48	
36	92	91	91	90	
40	96	96	95	95	
44	101	100	100	99	
48	105	105	104	104	

Sideshift is standard on double reach
Add 2" for 18.25" battery compartment
Add 5" for 21.25" battery compartment

NR040EC - 9.4" MAST

16.25" Battery Compartment and 42" ID					
3 Stage - 4" Between Loads					
Pallet Length (inches)	Pallet Width (inches)				
	36	40	44	48	
36	88	88	88	88	
40	92	92	91	91	
44	97	96	96	96	
48	101	101	100	100	

Subtract 1" if without sideshift

NR045EC - 9.4" MAST


16.25" Battery Compartment and 42" ID					
3 Stage - 4" Between Loads					
Pallet Length (inches)	Pallet Width (inches)				
	36	40	44	48	
36	88	88	88	88	
40	92	92	91	91	
44	97	96	96	96	
48	101	101	100	100	

Subtract 1" for without sideshift
Add 2" for 18.25" battery compartment
Add 5" for 21.25" battery compartment

Yale Materials Handling Corporation

P.O. Box 7367
Greenville, NC 27835-7367
U.S.A.

www.yale.com

Yale, and PEOPLE, PRODUCTS, PRODUCTIVITY are trademarks of Hyster-Yale Group, Inc.  is a registered copyright of Hyster-Yale Group, Inc. © Yale Materials Handling Corporation 2022. All rights reserved.

Trucks may be shown with optional equipment. Truck performance may be affected by the condition of the vehicle, how it is equipped and the application. Specifications are subject to change without notice. Consult your Yale® Dealer if any of the information shown is critical to your application.

CERTIFICATION: Yale lift trucks meet the design and construction requirements of B56.1-1969, per OSHA Section 1910.178(a)(2), and also comply with the B56.1 revision in effect at time of manufacture. Classified by Underwriters' Laboratories, Inc.

